

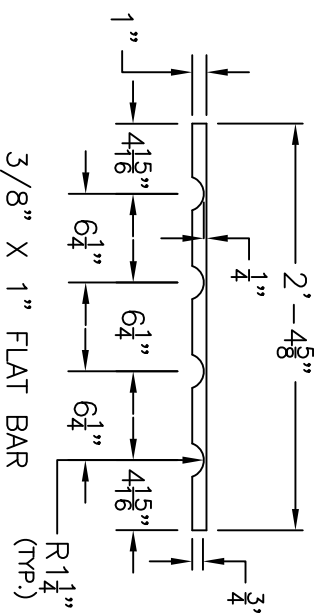
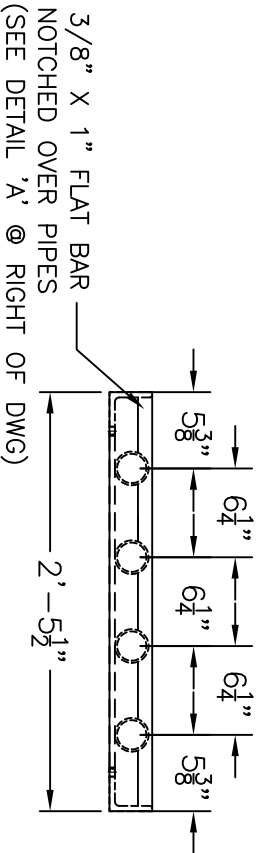
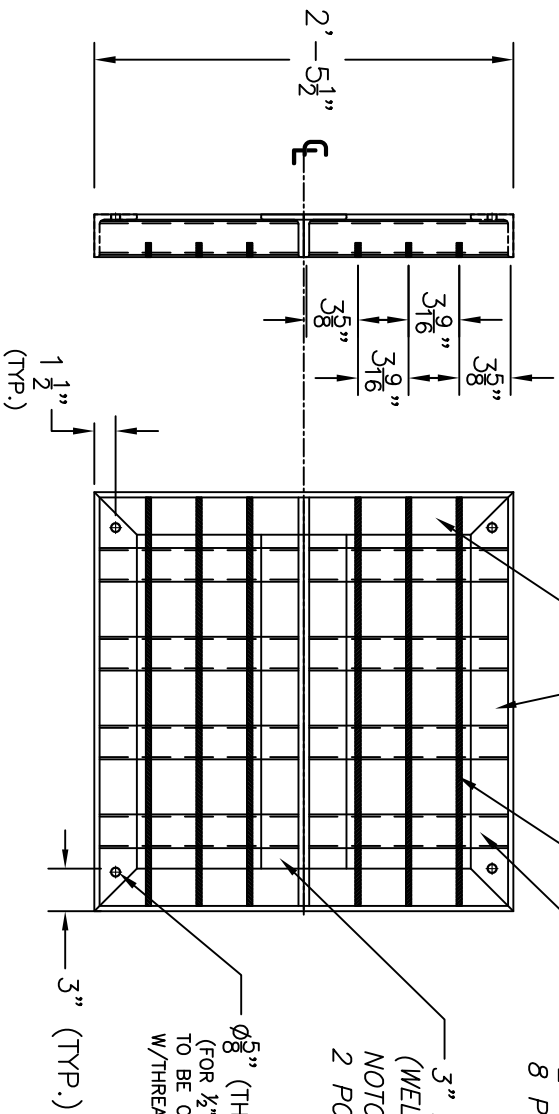
3" X 3" X 3/8" X 29 1/2" ANGLE
(CUT @ 45 DEG. BOTH ENDS)
4 PCS. PER ASSY REQ'D

3/8" X 1" X 28 5/8" FLAT BAR
(DET. 'A' SHOWN BELOW)
6 PCS. PER ASSY REQ'D

2" SCH. 40 PIPE (6 1/4" C-C MAX.)
8 PCS. REQ'D (BLACK PIPE)

3" X 3" X 3/8" X 28 3/4" ANGLE
(WELDED BACK TO BACK)
NOTCHED AS SHOWN BELOW
2 PCS. PER ASSY. REQ'D

Ø5/8" (THRU 4 PLCS.)
(FOR 1/2" X 6" BOLTS
TO BE CAST IN PLACE
W/THREADS EXPOSED 1 1/2")



DETAIL 'A'

NOTE:
HOT DIP GALV. AFTER FABRICATION

